



深圳市龙桥科技发展有限公司

SHENZHEN DRAGON BRIDGE TECHNOLOGY LIDE COMPANY

Application :Rental cars, insurance cars, trucks, buses

Wireless Fleet management Solution Innovator

GSM/GPRS/GPS Tracker

T4 Smart Video Terminal V2.0



Table of contents

| | |
|---|---|
| T4 Smart Video Terminal | 1 |
| 1. Product Introduction | 2 |
| 2. Features | 3 |
| 3. Technical parameter description | 5 |
| 3.1. The main technical parameters | 5 |
| 3.2. Environmental parameters | 6 |
| 3.3. EMC parameters | 6 |
| 4. Appearance and wiring instructions | 7 |
| 5. Product configuration list | 9 |

1. Product Introduction

The T4 smart video terminal is a vehicle-mounted terminal that integrates video, Android system, 7-inch display, RFID card, WiFi module, 4G network communication, and Beidou three-generation positioning, which is developed by our company. It has powerful software and hardware functions. The memory is upgraded to 2GB, the storage space is expanded to 16GB, and the APP runs smoother. It is widely used in taxis, online car-hailing, public transportation, freight and other industry applications. The main features are as follows:

- One-piece industrial structure design: suitable for tabletop installation.
- Operating system: Based on Android 7.1 operating system.
- 7-inch touch screen: the screen resolution is 1024*600.
- Support RFID, IC card driver information card.
- Support external taxi peripherals such as operating status display, taxi top light, meter, flop and so on.
- Wireless communication: Support 4G full Netcom.
- WIFI: Built-in WIFI hotspot, you can share the Internet.
- Support up to 4 channels of video and 1 channel of camera recording.
- Support VOIP voice call.
- Integrate iFLYTEK voice, support Chinese and English TTS speech synthesis.
- Support the installation of third-party applications and expand the application functions of the terminal industry.
- With battery over-discharge protection function; with over-voltage protection, if the limit voltage is exceeded, immediately cut off the external circuit protection terminal;
- Low power consumption. When the flameout detects that the battery voltage is low, it can enter the zero power consumption state. At this time, the working current is less than 2mA, which can effectively protect the car battery from over-discharge.

- Multiple protection of power supply, which can adapt to the complex power interference environment in the car.
- Provide secondary development SDK

2. Features

| | | |
|----------------------|------------------------------------|---|
| Application scenario | Native version | Used to provide customers for secondary development 1. Cut out unnecessary default applications and keep the main interface, phone, and browser 2. Provide secondary development SDK 3. Embedded 4-channel video preview interface (4 channels 720P) or 3 channels (2 channels 720P, 1 channel 1080P), 4. Support to start automatic dial-up Internet access, preset SDK test app, face input, face recognition APP |
| | Taxi industry application | Support electric recruitment, navigation, driver information display, standard 905/1076 functions, etc. |
| | Integrate third-party applications | stand by |
| System other | Local upgrade | Upgrade via TF card |
| | Online upgrade | Upgrade via WiFi or built-in 4G, connect to the cloud platform for upgrade. Support cloud guardian application upgrade. |
| | Differential upgrade | stand by |
| | Support peripheral upgrade | Support remote upgrade of peripheral programs such as meter, dome light, etc. |
| | Corporate Guardian | Support enterprise guarding platform |
| | Power saving design | Hierarchical power management to realize power saving design 1) Support to turn off the screen to run when ACC OFF 2) Support timing wake-up and report location information when ACC is OFF① 3) Support ACC OFF, the device shuts down when the battery is low, to avoid over-discharge of the battery |
| | Phone/SMS | Integrated Android standard phone/SMS program |
| Take pictures | Can use the built-in camera | |

| | | |
|-----------------|--|--|
| automatic | Automatic dial-up Internet | Configurable to open or close. |
| | Wireless AP | stand by |
| | Automatic time adjustment | Time calibration via mobile network or GPS, built-in RTC recording device time① |
| | SDK development kit | Provide SDK secondary development kit |
| | Online resources (optional) | Support integrated Himalayan car version |
| | Video storage | Support 1ch 1080P, 2ch 720P video storage, can be expanded to 4ch 720P |
| | Video view | Support real-time video and historical video retrieval and viewing |
| | Video export | The video is stored on the TF card, you can use the dedicated player to view the video by pulling out the TF card directly |
| | Video report | Support remote viewing of video on taxi platform. Support 1076 protocol |
| | Login to the platform | Support standard 905/808 protocol platform |
| | navigation | Pre-installed AutoNavi navigation car version |
| | TTS voice broadcast | Integrate Xunfei Yuji, support TTS |
| | Support face recognition | Used for driver login and driver identity authentication, supports offline recognition |
| | Driving behavior analysis | Support DSM function, realize driving behavior analysis and alarm display |
| | Media entertainment | Support music and video playback function |
| Custom function | Boot image, animation, music, application UI can be customized | |

3. Technical parameter description

3.1. The main technical parameters

| | | | |
|---------------------|---------------------------|----------------------|---|
| The main parameters | Operating Voltage | | 12V |
| | Operating voltage range | | 9-16V |
| | System startup time | | Cold start \leq 25S, hot start \leq 2S |
| LCD screen | size | | 7.0 inch |
| | Resolution | | 1024X600 |
| Video interface | Support a few roads | | Support up to 4 channels |
| | Working voltage/current | | 12V |
| | Pixel (resolution) | | 2 channels 720P, 1 channel 1080P; can be expanded to 4 channels 720P |
| | recording function | | 1 camera with recording function② |
| | Connector model | | T4 throwing line, aviation plug |
| Audio | Horn parameters | | Built-in 1.5W speaker 8 ohm |
| | MIC | | Voice recognition, call |
| GPS | Module model | | Module built-in positioning function |
| | Frequency Range | | Support BD/ GPS / GLONASS; compatible with A-GPS |
| | other requirements | | Support positioning antenna open circuit and short circuit detection |
| | | | GPS module reserved on the motherboard ③ |
| storage | FLASH | | 16GB ROM |
| | RAM | | 2GB RAM |
| | Expansion Card | | TF card interface supports up to 128GB |
| wireless network | WIFI | Module | Module built-in WIFI |
| | | supporting agreement | 2.4G, 802.11b/g/n |
| | | Antenna type | Built-in antenna |
| | 4G | | Full Netcom, support data card |
| button | Number of key types | | 7 buttons, can be customized |
| | Function definition | | Home/Navigation/Video/Back/Satisfied/General/Unsatisfied. Button function customers can customize |
| | Privately printed content | | Home/Navigation/Video/Back/Satisfied/General/Unsatisfied |
| IC card | IC card /RFID reader | | |
| USB | Interface Type | | Micro USB / cable jet head |
| | Functional | | Support 2 USB ports, external USB mobile hard disk |

| | | |
|--------------------------------|---------------------------|---|
| | requirements | can be connected ④ |
| Serial port | Functional requirements | 4 peripheral serial ports, used to connect meter, dome light, driving status controller, etc. |
| | Peripheral power supply | not support |
| | Debug port | Pull out the debug serial port |
| I/O | High and low level signal | 2 inputs, 1 relay control output, 1 emergency alarm |
| Acceleration sensor, gyroscope | Functional requirements | Support, used to detect impact, rollover, etc. |
| Positioning performance | GPS module | P1311 |
| | Tracking sensitivity | -162dBm |
| | Positioning time | Cold start TTFF: $\leq 32s$ |
| | | Hot start TTFF: $\leq 1s$ |
| | | Recapture TTFF: $\leq 1s$ |
| | positioning accuracy | $\leq 2.5m$ |
| Speed accuracy | $\leq 0.1m/s$ | |

3.2.Environmental parameters

| Test item | Executive standard | Function level |
|---------------------------------------|---|----------------|
| Operating temperature characteristics | Working temperature: $-20^{\circ}C-70^{\circ}C$ | Meet grade A |
| Storage temperature characteristics | Storage temperature: $-40^{\circ}C-85^{\circ}C$ | Meet grade C |
| Humidity characteristics | Humidity: $\leq 95\%$ | Meet grade A |

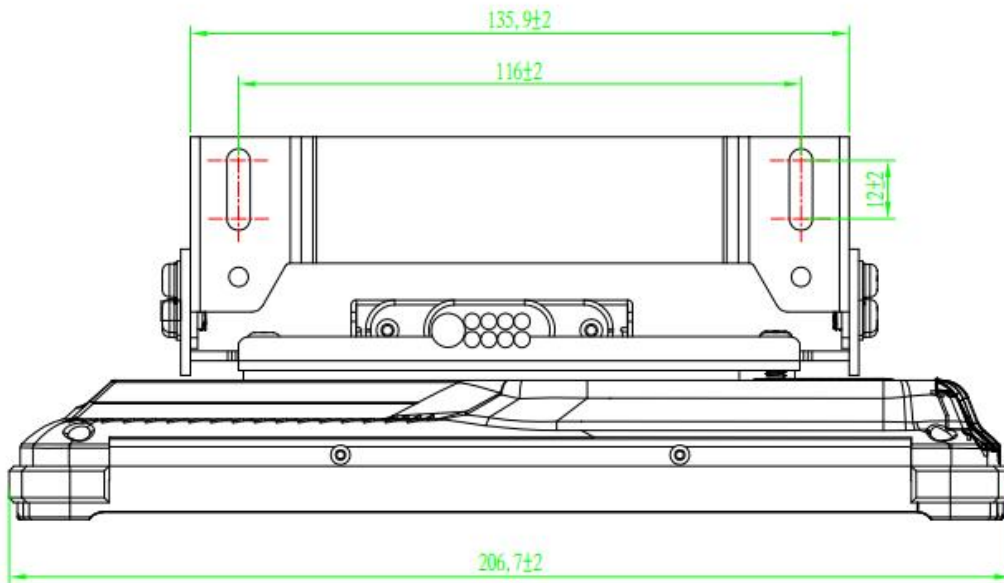
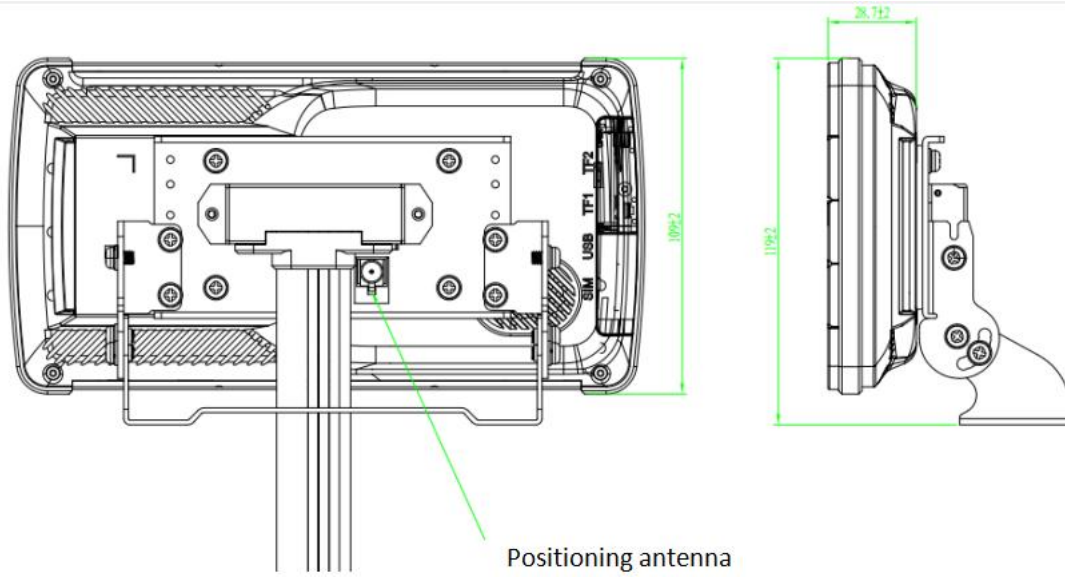
3.3.EMC parameters

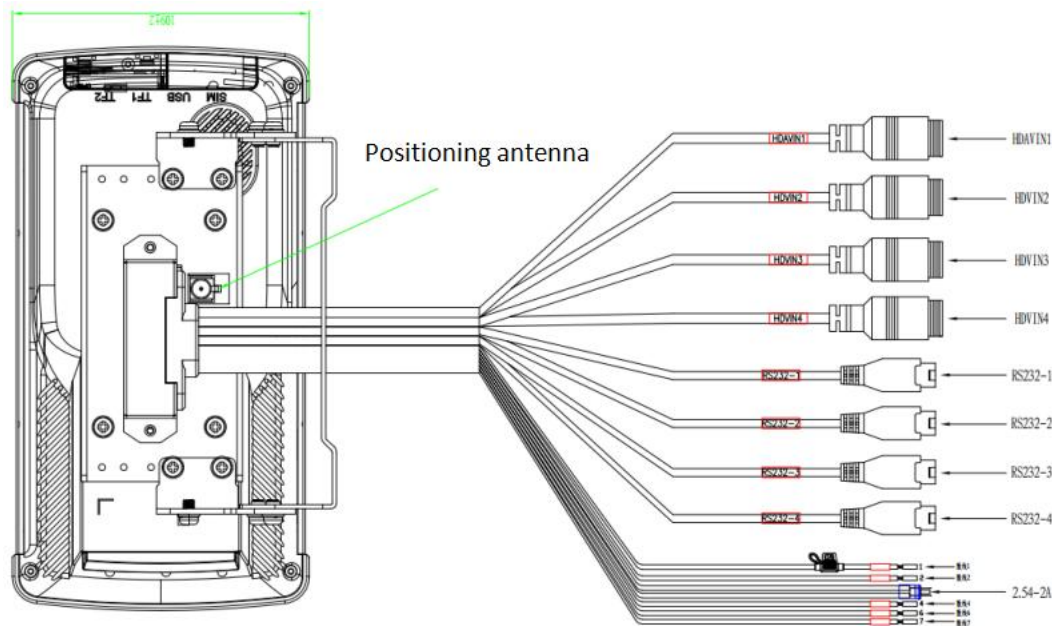
| Test item | Executive standard | Function level |
|--|-------------------------------------|---|
| Anti-interference degree of automobile electric spark interference | GB/T19056 | Meet grade A |
| Transient conducted interference along the power line | ISO7637-2 | Comply with P2a, P3a, P3b, P5, A level Comply with P1, P2B, P4, C level |
| Conduction harassment | GB/T18655 conduction voltage method | Meet the requirements of level III |

| | | |
|------------------------------|---|--|
| Radiation harassment | GB/T18655 anechoic chamber method | Meet the requirements of level III |
| Radiation immunity | GB/T17619 free field method | Comply with 24V/m, Class A |
| High current injection | GB/T17619 high current injection method | Comply with 48mA, A grade |
| Anti-static discharge ground | GB/T19951, power-on mode | Comply with contact discharge $\pm 6KV$, Class A complies with air discharge $\pm 8KV$, Class A |
| | GB/T19951, storage mode | Comply with contact discharge $\pm 6KV$, C level complies with air discharge $\pm 15KV$, C level |

4. Appearance and wiring instructions







Interface definition description

| Connector label | Interface diagram | Pin NO. | Interface definition | Remarks |
|-------------------------------|-------------------|---------|--------------------------|--------------|
| HDAVIN1 | | 1 | Camera power is positive | |
| | | 2 | Camera power negative | |
| | | 3 | audio signal | |
| | | 4 | Video signal | |
| HDAVIN2 HDAVIN3 HDAVIN4 | | 1 | Camera power is positive | |
| | | 2 | Camera power negative | |
| | | 3 | air | |
| | | 4 | Video signal | |
| RS232-1 RS232-2 RS232-3 | | 1 | air | |
| | | 2 | Send externally | |
| | | 3 | External reception | |
| | | 4 | Ground | |
| RS232-4 | | 1 | power supply | |
| | | 2 | Send externally | |
| | | 3 | External reception | |
| | | 4 | Ground | |
| 2.54-2A | | 1 | Emergency ground | |
| | | 2 | urgent | |
| dispersion wire | | 1 | Power is positive | red |
| | | 2 | Power negative | black |
| | | 4 | ignition | Orange |
| | | 6 | enter | Yellow black |
| | | 7 | Output | blue |

5.Product configuration list

| NO. | name | Quantity /set | Remarks |
|-----|--------------------------------------|------------------|---|
| 1. | Host (main screen) | 1 | |
| 2. | Positioning antenna | 1 | |
| 3. | Install the cable | 1 | Contains: power cable, RS232 serial cable, video output cable |
| 4. | Mounting brackets | 1 | Bracket + fixing screw |
| 5. | Driver card | 2 | |
| 6. | Manual/certificate/warrant y card | 1 | |
| 7. | DSM camera | 1 | Optional |
| 8. | emergency button | 1 | Optional |
| 9. | Oil cut relay | 1 | Optional |